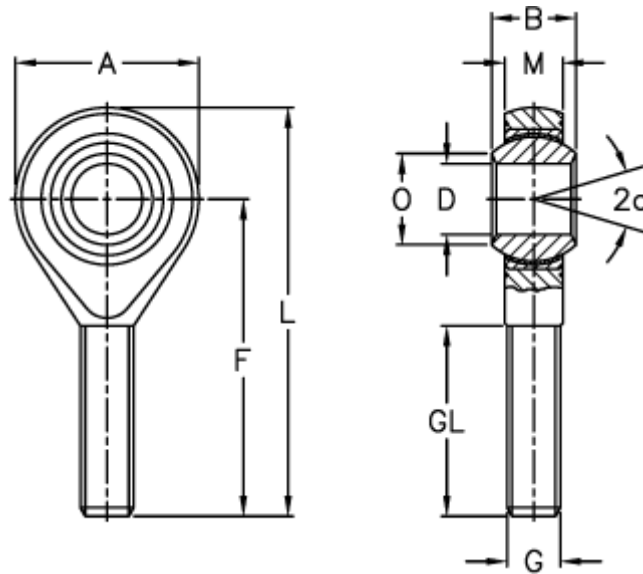


Article number: 03012030

Description: Fluro Rod End GAXSW 30
Zinc Plated

Measures



A	= 70	L	= 145
a (degrees)	= 17	M	= 25
B	= 37	O	= 34.8
D	= 30	Permissible rpm	= 130
Dynamic load C (kN)	= 168	Static load C0 (kN)	= 184
F	= 110	Weight (g)	= 1030
g	= M30x2		
GL	= 71		